

**Wall mounted  
Flatline 120 cm  
Stainless steel**



EAN 5414425076109

## Energy label

▪ Energy Efficiency class (EEIhood)	A+
▪ Annual Energy Consumption (kWh/year) (AEChood)	33,7
▪ Fluid Dynamic Efficiency class (FDEhood)	A
▪ Lighting Efficiency class (LEhood)	A
▪ Grease Filtering Efficiency class (GFEhood)	D

## Functions & features

▪ Motor	Integrated
▪ Sound absorber	Integrated
▪ Recirculation	Optional
▪ InTouch function	Optional
▪ Auto stop	▪
▪ Delayed switch off (minutes)	10
▪ Grease filter	7530020
▪ Number of grease filters	1
▪ Grease filter cleaning indication	▪
▪ Recirculation filter cleaning indication	▪
▪ Control method	Push buttons
▪ Number of speeds	3 + power
▪ Automatic Power revert (minutes)	6

## Dimensions

▪ Product dimensions exhaust (WxDxHmin-Hmax) (mm)	1198 x 554 x 660 - 1050
▪ Product dimensions recirculation (WxDxHmin-Hmax) (mm)	1198 x 554 x 730 - 1120
▪ Max height optional chimney exhaust (mm)	1410
▪ Max height optional chimney recirculation (mm)	1480
▪ Advised mounting height induction hobs (Hmin-Hmax) (mm)	650 - 750
▪ Advised mounting height gas hobs (Hmin-Hmax) (mm)	650 - 750
▪ Advised mounting height ceramic hobs (Hmin-Hmax) (mm)	600 - 750
▪ Diameter outlet (mm)	150
▪ Position exhaust	Top

## Lighting

▪ Functional lighting type	LED
▪ Functional light dimmable	▪
▪ Soft-ON/OFF	▪
▪ Number of functional lights	4
▪ Total energy consumption functional light (W)	12
▪ Color functional light (K)	2700

## Airflow and noise level

▪ Free airflow (m³/h)	815
-----------------------	-----

## Airflow and noise level

---

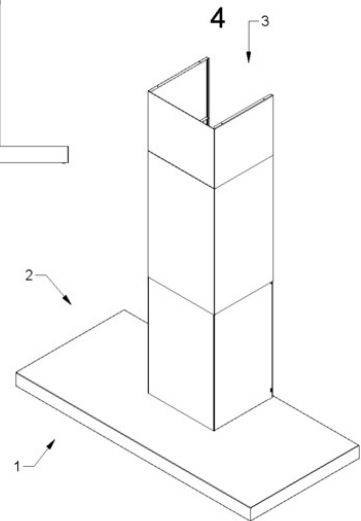
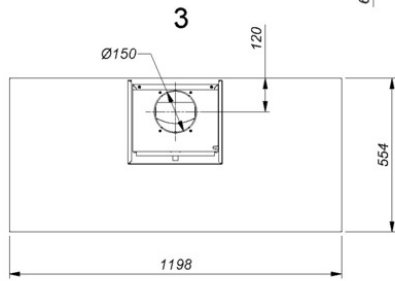
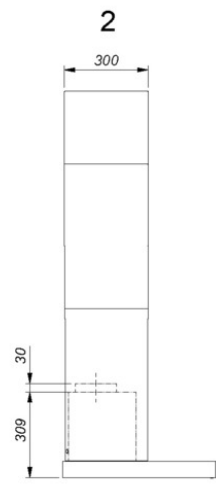
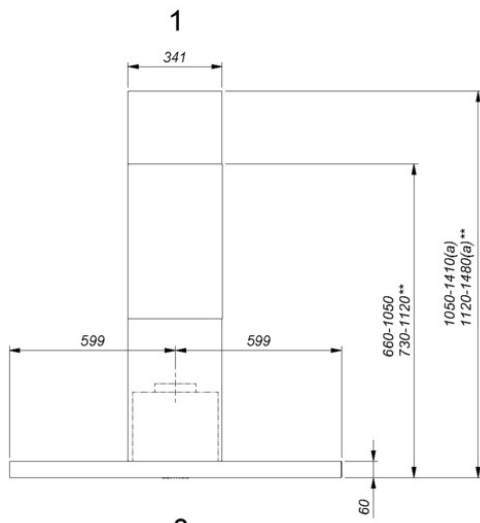
- Airflow (m<sup>3</sup>/h) measured according to EN 61591
- Sound regulation according to EN 60704-2-13
- Airflow duct out speed 1 (m<sup>3</sup>/h) / Max pressure duct out speed 1 (Pa)      259 / 83
- Airflow duct out speed 2 (m<sup>3</sup>/h) / Max pressure duct out speed 2 (Pa)      420 / 247
- Airflow duct out speed 3 (m<sup>3</sup>/h) / Max pressure duct out speed 3 (Pa)      550 / 380
- Airflow duct out max powerspeed (m<sup>3</sup>/h) (Qboost) / Max pressure duct out max powerspeed (Pa)      631 / 381
- Sound pressure duct out speed 1 (dB(A)) / Sound power duct out speed 1 (dB(A))      26 / 36
- Sound pressure duct out speed 2 (dB(A)) / Sound power duct out speed 2 (dB(A))      38 / 49
- Sound pressure duct out speed 3 (dB(A)) / Sound power duct out speed 3 (dB(A))      44 / 55
- Sound pressure duct out at max powerspeed (dB(A)) / Sound power duct out at max powerspeed (dB(A)) (LWAboost)      48 / 59

## Technical specifications

---

- |   |      |
|---|------|
| ▪ Maximum power (W)                           | 117  |
| ▪ Voltage appliance (V)                       | 230  |
| ▪ Frequency (Hz)                              | 50   |
| ▪ Power consumption in stand-by-mode (Ps) (W) | 0.25 |
| ▪ Net weight (kg)                             | 35,6 |
| ▪ Length power supply cable (m)               | 1,3  |

7610 - 7612



## Installation accessories

---

### Back panel & chimney extensions

- 7600100 Chimney extension 90 cm

### Additional accessories

- 840029 Remote control

## Accessories

---

### Recirculation kit



7600400

Recirculation set Novy Flatline wall 90, 120 cm

### Control kit



990030

Control kit for external lighting or valve

